

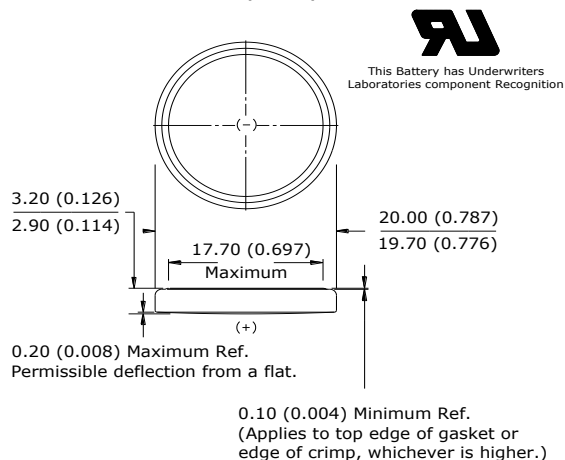
# ENERGIZER CR2032

# Lithium Coin



## Industry Standard Dimensions

mm (inches)



- Classification:** "Lithium Coin"  
**Chemical System:** Lithium / Manganese Dioxide (Li/MnO<sub>2</sub>)  
**Designation:** ANSI / NEDA-5004LC, IEC-CR2032  
**Nominal Voltage:** 3.0 Volts  
**Typical Capacity:** 240 mAh (to 2.0 volts)  
 (Rated at 15K ohms at 21°C)  
**Typical Weight:** 3.0 grams (0.10 oz.)  
**Typical Volume:** 1.0 cubic centimeters (0.06 cubic inch)  
**Typical IR:** 10,000 - 40,000 mΩ  
**Max Rev Charge:** 1 microampere  
**Energy Density:** 198 milliwatt hr/g, 653 milliwatt hr/cc  
**Typical Li Content:** 0.109 grams (0.0038 oz.)  
**UL Listed:** MH29980

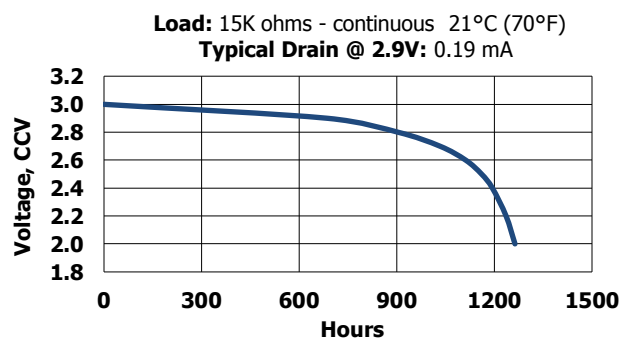
### Safety:



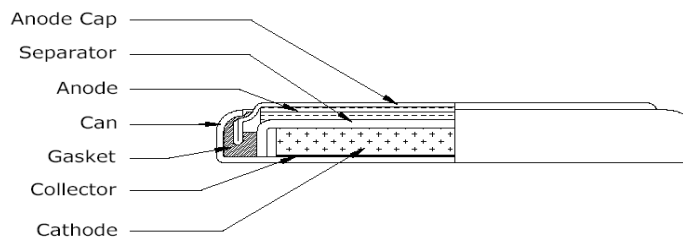
**(1) KEEP OUT OF REACH OF CHILDREN.** Swallowing may lead to serious injury or death in as little as 2 hours due to chemical burns and potential perforation of the esophagus. **Immediately see doctor; have doctor phone (202) 625-3333.**

**(2) Battery compartment design.** To prevent children from removing batteries, battery compartments should be designed with one of the following methods: a) a tool such as screwdriver or coin is required to open battery compartment or b) the battery compartment door/cover requires the application of a minimum of two independent and simultaneous movements of the securing mechanism to open by hand. Screws should remain captive with the battery door or cover.

## Continuous Discharge Characteristics



## Cross Section



## Simulated Application test

Typical Performance at 21°C (70°F)

Schedule:	Typical Drains: at 2.9V (mA)	Load (ohms)	Cutoff 2.0V (hours)
Continuous	0.19	15,000	1263

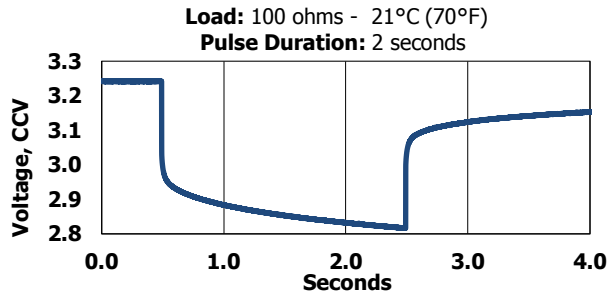
### Important Notice

This datasheet contains typical information specific to products manufactured at the time of its publication.  
©Energizer Holdings, Inc. - Contents herein do not constitute a warranty.

ENERGIZER CR2032

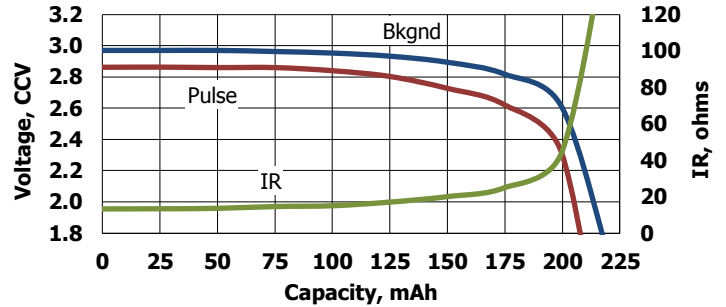
Lithium Coin

**Pulse Characteristics**

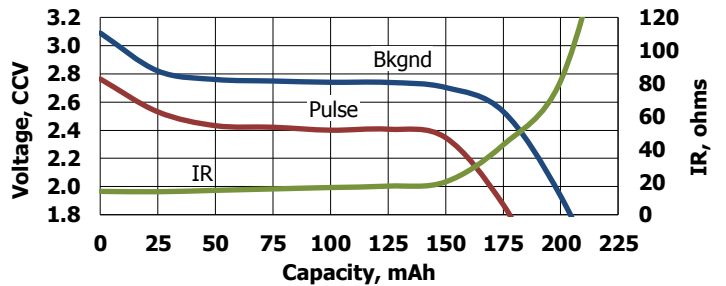


**Pulse Discharge Characteristics**

**Bkgnd Drain:** Continuous 21°C (70°F) 15K ohms 0.19 mA @2.9V  
**Pulse Drain:** 2 seconds X 12 times/day 400 ohms ~6.8 mA @2.7V



**Bkgnd Drain:** None 21°C (70°F)  
**Pulse Drain:** 1mSec ON / 14mSec OFF 120 ohms ~23 mA @2.7V



**Important Notice**

This datasheet contains typical information specific to products manufactured at the time of its publication.  
©Energizer Holdings, Inc. - Contents herein do not constitute a warranty.